

# VantEdge Metal Edge System

This three piece system is designed for installation over single-ply applications. It is mechanically fastened and fully adhered. This system features a 22 gauge cleat with tension mounted face plate.

## System Includes

- 10' Face Metal
- 10' Continuous Cleat
- 1- 4" splice plate per 10'
- 20 Screws per 10', DP3

## Available Face Plate and Splice Plate Metals

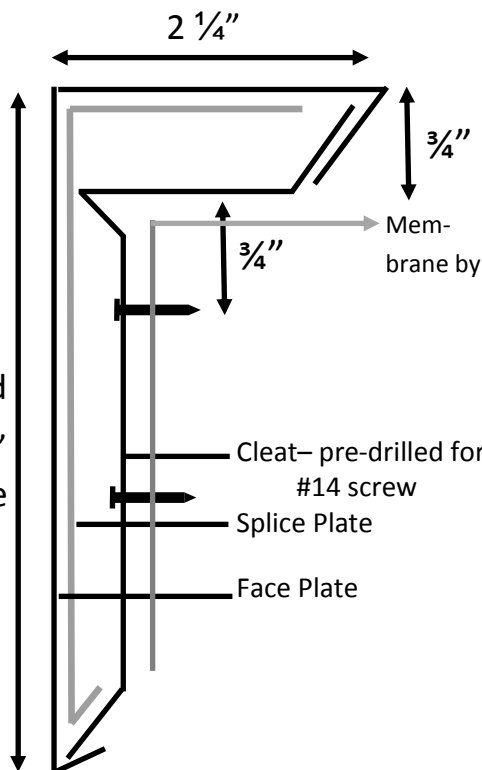
- 24 gauge Kynar coated galvalume steel, 25 standard colors
- .040, .050 aluminum, 25 standard colors
- 24 gauge Stainless Steel
- 30 year paint finish warranty available.

## Cleat

- 22 gauge galvanized, pre-drilled

### Available upon Request

- Outside or inside Corners
- Custom height edge system



Name _____	Date _____
Phone _____	PO _____
Metal Type _____	
Metal Gauge _____	
Color _____	
Total Linear Footage _____	
Front Face	4" 6" 8" 10" 12"

  
**VIRGINIA**  
**METAL**  
**SYSTEMS**  
 804.622.2900  
 sales@virginiaslate.com