

Continuous Box Gutter System

7" Profile - D Style

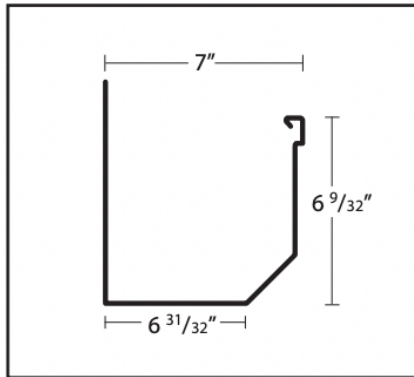
Box Gutter System



eric.common@virginiaslate.com
804-622-2900

ORDER FORM

Straight Back Profile



\$7.95 per Linear feet

24ga

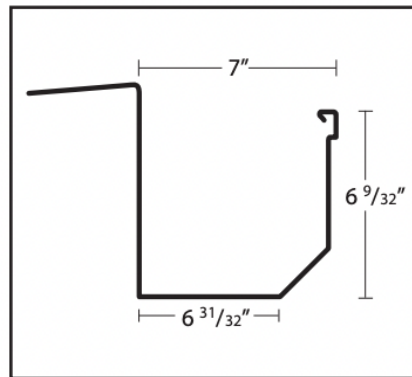
(Call for aluminum pricing)



Standard Hanger Bracket

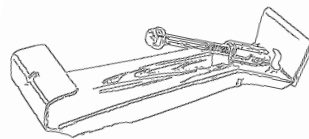
\$1.50

**Adjustable Flange Profile



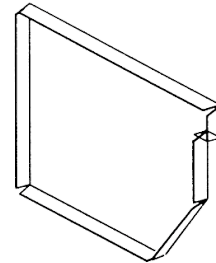
\$9.95 per Linear feet

24ga



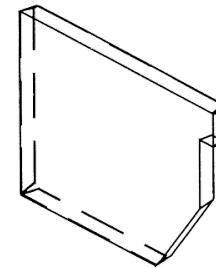
Premium Hanger Bracket

\$3.50



Right Gutter End Cap

\$6.95 per pc



Left Gutter End Cap

\$6.95 per pc

Secure gutter hangers by using one hanger, fastened to the fascia board at 24" o.c. maximum.

QUANTITY

** ADJUSTABLE FLANGE PROFILE IS ONLY AVAILABLE IN SELECT COLORS CONTACT SALES TEAM BEFORE SELECTING COLOR

Gutter Length x Quantity

_____ X _____

_____ X _____

_____ X _____

_____ X _____

_____ X _____

_____ X _____

Gutter Right End Caps (quantity) _____

Gutter Left End Caps (quantity) _____

Gutter Hanger Bracket
Standard Bracket (quantity) _____

Premium Bracket (quantity) _____

COLOR

PROFILE TYPE

- Straight Back Profile
- ** Adjustable Flange Profile

ACCESSORIES - Quantity

- Screws _____
- Pop Rivets _____
- Caulk. _____

CUSTOMER APPROVAL

- Approved for Fabrication

DELIVERY SERVICE

- On-Site Delivery
- Pick-Up at warehouse

Address:

Authorized Customer Signature

PO# / Job Name: _____

Customer: _____

Phone Number: _____